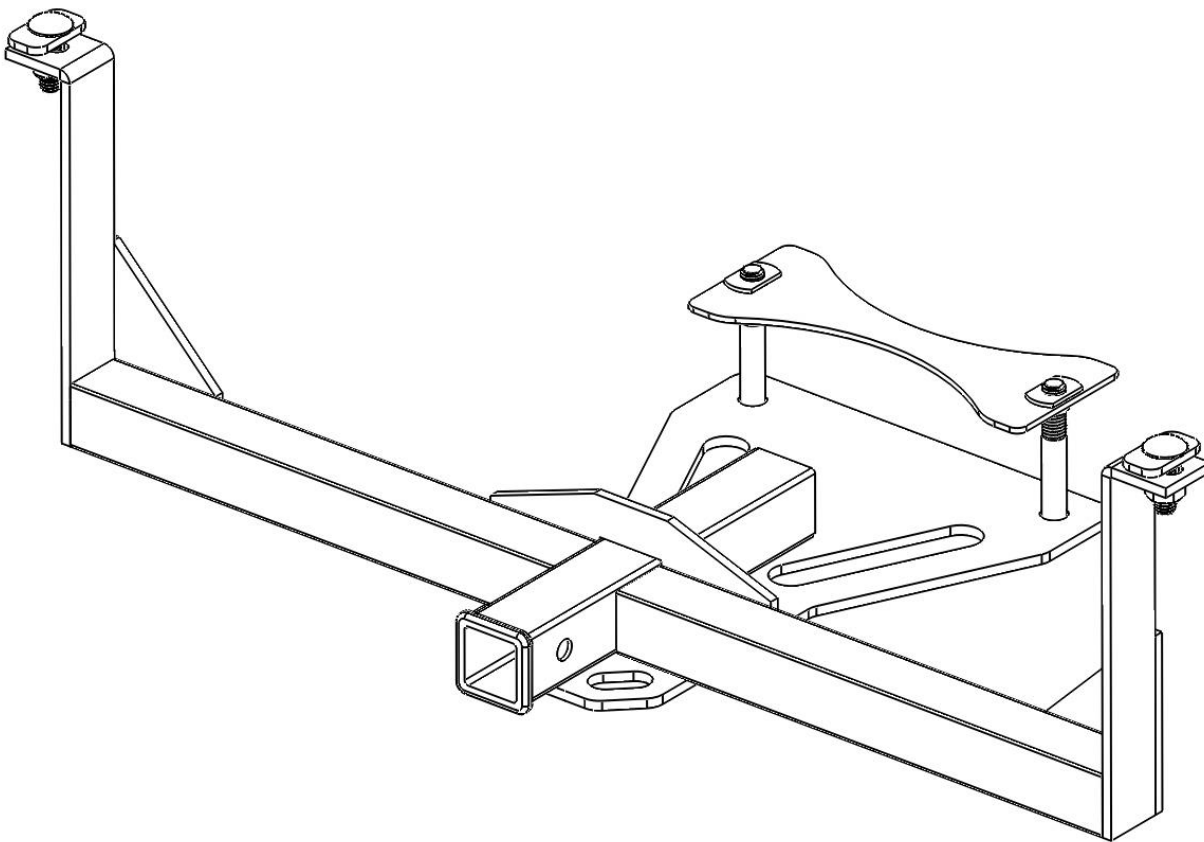




**C7 Corvette Hitch
Installation Instructions**



LEH-004_Installation Instructions
Rev001
16-APR-2018

Needed Equipment

- Jack and Jack Stands
- Eye protection
- 7 mm socket
- 10 mm socket
- T-15 bit and driver/wrench
- Trim pry tools
- Grinder or Hold Saw
- Pen/Pencil/Marker
- Torque Wrench
- Tape measure



1. Remove the rear fascia

1. Remove the ten 7 mm bolts on bottom of the fascia.
2. Remove the two 10 mm bolts above the exhaust.
3. Pop off the mud flaps and remove the two 15 torx screws on each side.
4. On the bottom edge of bumper by the wheel pop the bumper loose from the upper part of the fascia separating the two colored sections.
5. Now you can put your hand under the bumper and pop the red reflectors off the back.
6. Lastly remove the two 10 mm bolts on each side where the reflectors were.
7. The fascia should now be loose; pull it off and put on a clean protected surface.

2. Hitch install

1. Dry fit hitch. Note mounting points.
2. Remove bumper brackets using 10 mm socket (both sides)



3. Using one of the bolts as a guide make a template in the frame



4. Grind out a 1" diameter hole. You need the bolt to pass through the frame. Use a step drill, or a grinding tool.



5. Touch up the holes with some paint to prevent corrosion.
6. Thread the bolt into the fish-wire



7. Put the mounting bracket onto the fish-wire
8. Push the bolt into the frame
9. Push the bracket into the frame



10. Pull the wire through the hole. This should pull the threads through the frame.



11. Repeat #3-10 for the other side
12. Mount the hitch on the frame bolts using the two 18 mm nuts and washers. Do not tighten the nuts at this time. They need only support the weight of the hitch.



13. Put the mounting plate on top of the rear sub-frame.

- Using the 19 mm bolts and washers connect the hitch and mounting plate through the sub-frame.

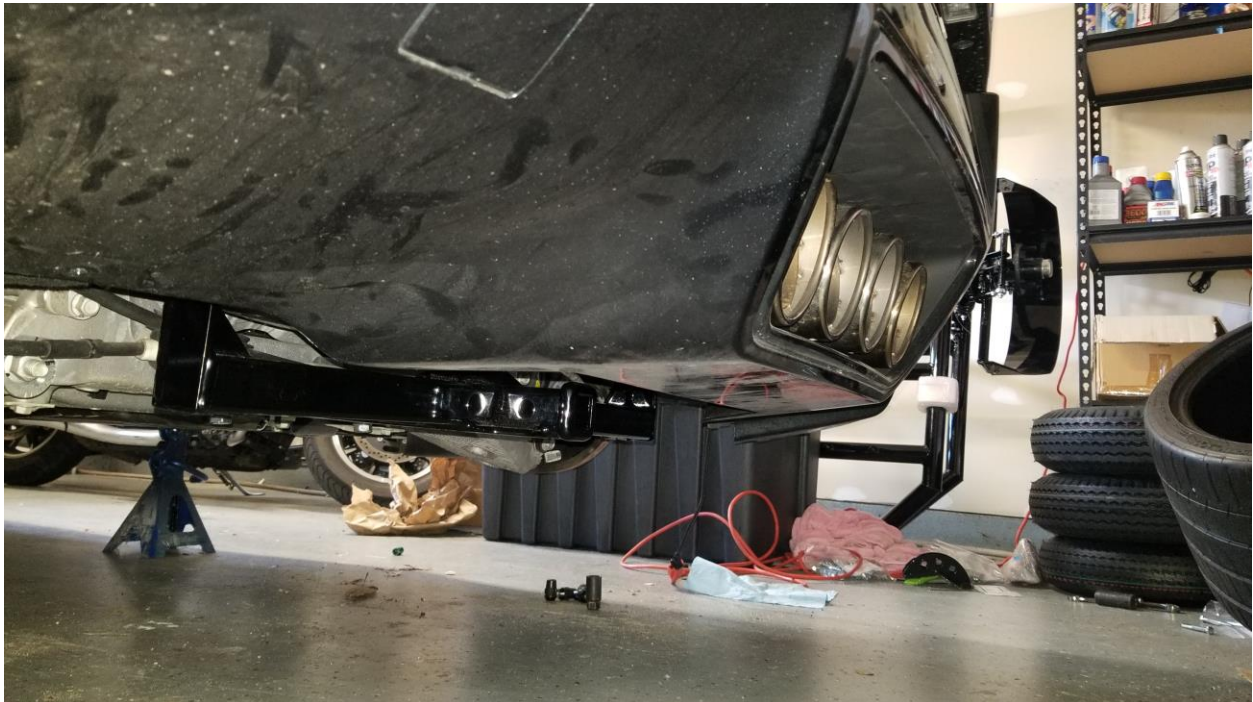


- Center the hitch by measuring the distance to a fixed point on both sides of the vehicle.



- Once the hitch is centered tighten the bolts from front to rear
- Frame bolts = 35 lb/ft
- Sub-frame bolts = 50 lb/ft

19. Re-install the bumper brackets and rear fascia, and you are done!



Questions or comments

info@leroyengineering.com

www.leroyengineering.com

1-440-478-5854